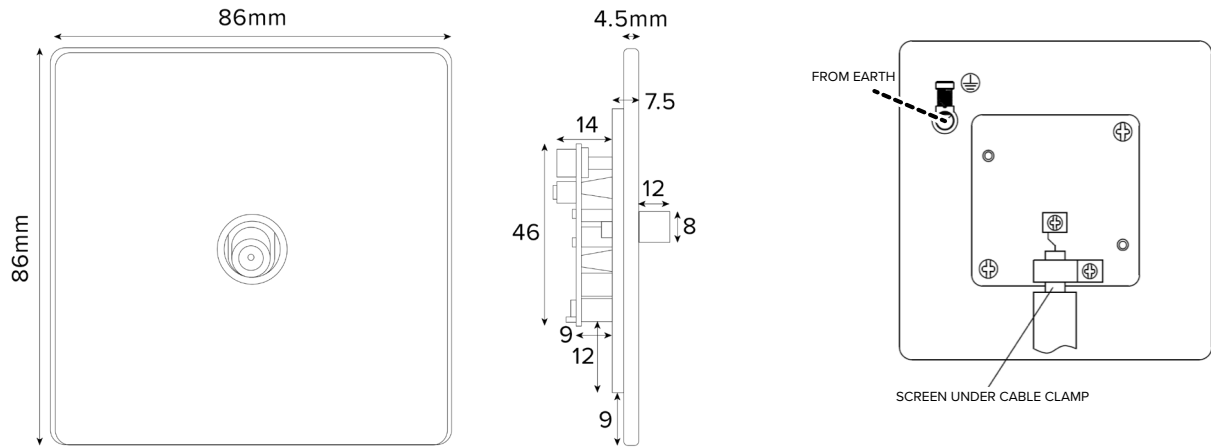


# 1 Gang Satellite Socket - Traditional Plate



## TECHNICAL SPECIFICATION

Standard(s)	BS 5733 (Where Applicable)
Mounting Box Depth (Min)	25mm
Earth Terminal Capacity 1, 2, 3, 4, 5	4 x 1.0mm <sup>2</sup> , 4 x 1.5mm <sup>2</sup> , 2 x 2.5mm <sup>2</sup> , 1 x 4.0mm <sup>2</sup> (Earth)
Fixing Centres	60.3mm
Size	86mm x 86mm x 4.5mm (Plate thickness)
Product Class 1	Face plate must be earthed
Ambient Operating Temperature	-5° to +40°C
Recommended Location	Internal Use Only
Maximum Installation Altitude	2000m
IP Rating	IP2XD