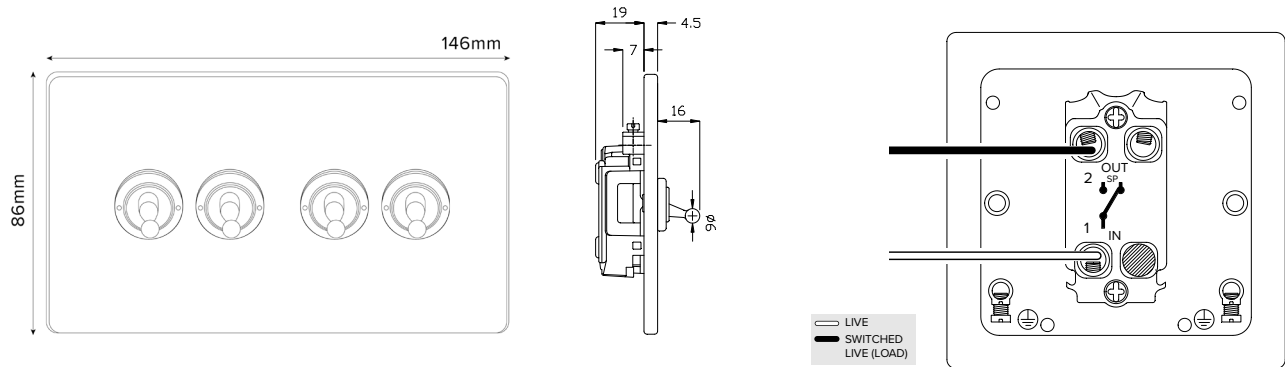


20A 4 Gang 2 Way Toggle Switch - Traditional Plate



TECHNICAL SPECIFICATION

| | |
|-------------------------------|-----------------------------------------------------------------------------------|
| Standard(s) | BS EN 60669-1 |
| Voltage Rating | 20 Amp, 250V [~] (20AX – no derating for inductive or fluorescent loads) |
| Contact Gap | Normal Gap |
| Mounting Box Depth (Min) | 35mm |
| Terminal Capacity | 3 x 2.5mm ² , 2 x 4.0mm ² , 1x 6.0mm ² |
| Earth Terminal Capacity | 3 x 2.5mm ² , 2 x 4.0mm ² , 1x 6.0mm ² |
| Fixing Centres | 120.6mm |
| Size | 86mm x 146mm x 4.5mm (Plate thickness) |
| Product Class 1 | Face plate must be earthed |
| Ambient Operating Temperature | -5° to +40°C |
| Recommended Location | Internal Use Only |
| Maximum Installation Altitude | 2000m |
| IP Rating | IP2XD |
| Switched Poles | Single |
| Mains Frequency | 50hz - 60hz |
| Contact Gap Minimum | 3mm |