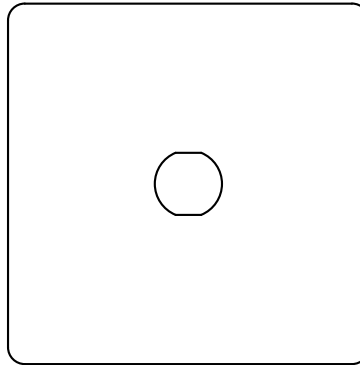
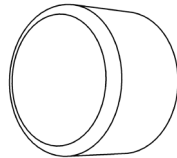


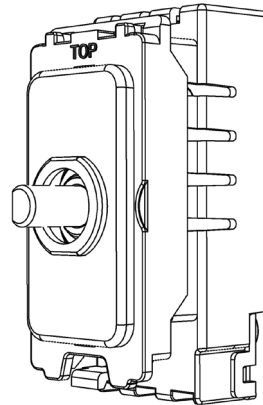
# 1 Gang 250W Multi-Way Intelligent Dimmer - Traditional Plate



20-GRD132



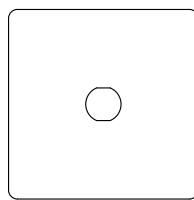
SGP146



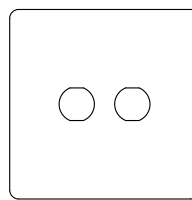
Enkin PDM250 & SOHO Grid Adapter

## Contents

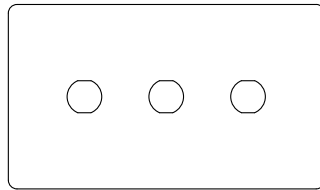
<b>20-GRD132</b>	1 Gang Circular Hole Grid Plate - Traditional
	— <b>20-PLT132</b> 1 Gang Circular Hole Traditional Grid Plate
	— <b>20-EDG007</b> Single Traditional Type Gasket
	— <b>SGPYLK-12</b> Single Grid Frame (Yoke)
<b>SGP146</b>	CM-Grid Dimmer Knob
<b>Enkin PDM250</b>	250W Multi-Way Intelligent Dimmer with Soho CM Grid Adapter



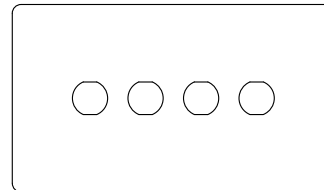
20-GRD132



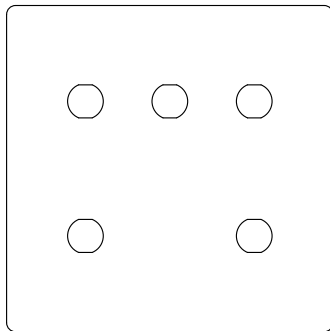
20-GRD133



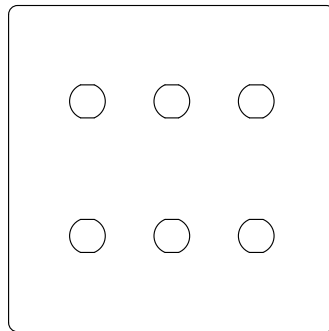
20-GRD135



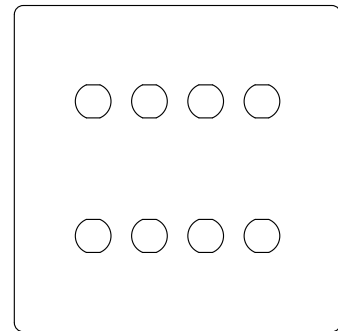
20-GRD136



20-GRD137



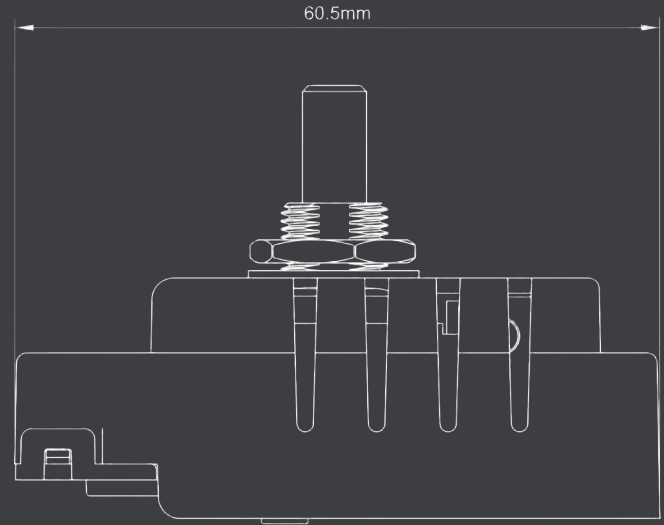
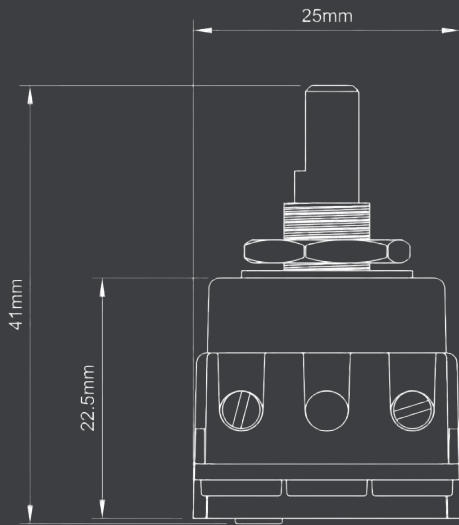
20-GRD138



20-GRD139




### TECHNICAL SPECIFICATION

Standard(s)	BS 5733 (Where Applicable)
Mounting Box Depth (Recommended)	47mm
Earth Terminal Capacity	3 x 2.5mm <sup>2</sup> , 2 x 4.0mm <sup>2</sup> , 1 x 6.0mm <sup>2</sup> (EARTH)
Fixing Centres	60.3mm (Single width) 120.6mm (Double Width)
Size - (1 Gang) 20-GRD132	86mm x 86mm x 4.5mm (Plate Thickness Inc. Gasket)
Size - (2 Gang) 20-GRD133	86mm x 86mm x 4.5mm (Plate Thickness Inc. Gasket)
Size - (3 Gang) 20-GRD135	86mm x 146mm x 4.5mm (Plate Thickness Inc. Gasket)
Size - (4 Gang) 20-GRD136	86mm x 146mm x 4.5mm (Plate Thickness Inc. Gasket)
Size - (5 Gang) 20-GRD137	146mm x 146mm x 4.5mm (Plate Thickness Inc. Gasket)
Size - (6 Gang) 20-GRD138	146mm x 146mm x 4.5mm (Plate Thickness Inc. Gasket)
Size - (8 Gang) 20-GRD139	146mm x 146mm x 4.5mm (Plate Thickness Inc. Gasket)
Product Class 1	Face plate must be earthed
Ambient Operating Temperature	-5° to +40°C
Recommended Location	Internal Use Only
Maximum Installation Altitude	2000m
IP Rating	IP2XD

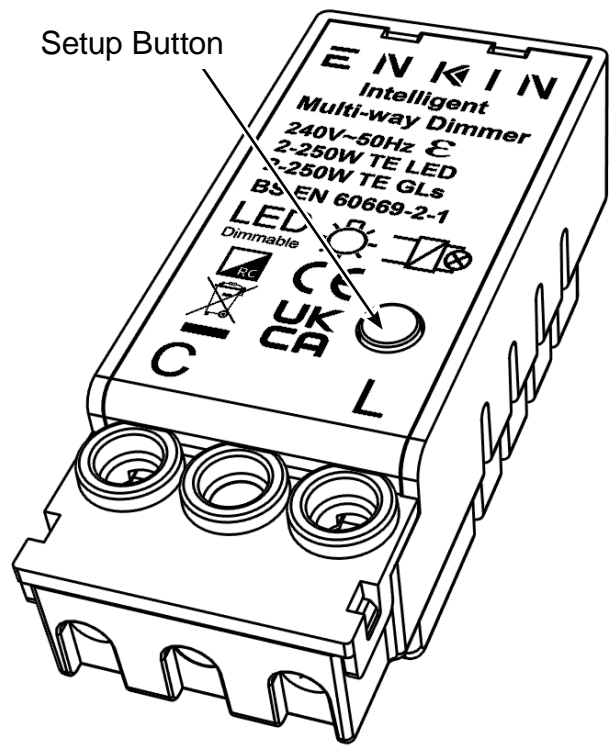


<b>Markings &amp; Standard(s)</b>	CE, UKCA, BS EN 60669-2-1
<b>Operating Voltage</b>	220-240V AC
<b>Main Frequency</b>	50Hz
<b>Minimum Load</b>	2W LED (2W Incandescent/Halogen)
<b>Maximum Load</b>	250W LED (250W Incandescent/Halogen)
<b>Switch Type</b>	Multi-way
<b>Dimming Protocol</b>	Trailing edge phase control
<b>Mounting Box Depth (Min)</b>	35mm
<b>Terminal Capacity</b>	1 x 4mm <sup>2</sup> / 1 x 2.5mm <sup>2</sup> / 3 x 1.5mm <sup>2</sup> / 4 x 1mm <sup>2</sup>
<b>Terminal Markings</b>	C (Live), L (Load)
<b>Neutral Required</b>	No
<b>Short Circuit Protection</b>	Yes
<b>Overload/Overcurrent Protection</b>	Yes
<b>Thermal Protection</b>	Yes - Thermal resettable fuse
<b>Soft Start</b>	Yes
<b>Power Failure</b>	Previous state recall
<b>Memory</b>	Non volatile
<b>Min/Max Level Setting</b>	Yes - Following a defined procedure
<b>Driving Mode</b>	Trailing Edge (TE) only
<b>Product Dimensions</b>	60.5mm x 14mm x 25mm
<b>Climate Range</b>	0°C to 40°C, humidity 0% to 95% non-condensing
<b>Recommended Location</b>	Indoor use only
<b>Maximum Installation Altitude</b>	2000m
<b>IP Rating</b>	IP2XD

<b>Operating Voltage</b>	240V ac
<b>Nominal Operating Frequency</b>	50 Hz
<b>Dimming Technique</b>	Trailing edge phase control
<b>Compliance</b>	BS EN 60669-2-1

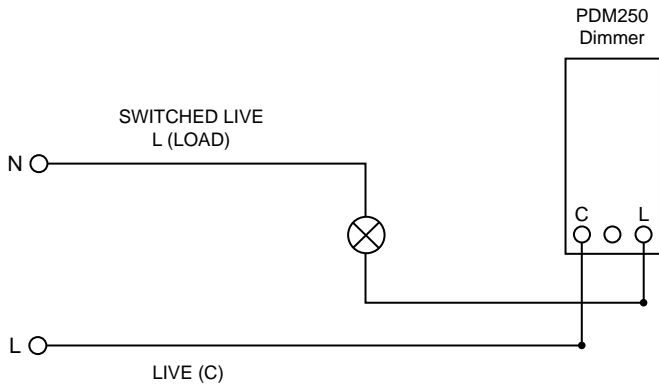
Load Symbol	Compatible Loads	Max Load	Min Load
	Dimmable LED lighting	250W	2W
	240V Incandescent & Halogen lamps	250W	2W
	Low voltage lighting with electronic transformers	250W	2W

Multi-Gang Switch De-Rating Chart				
1 Gang	2 Gang	3 Gang	4 Gang	5 Gang
250W	212.5W	175W	137.5W	100W

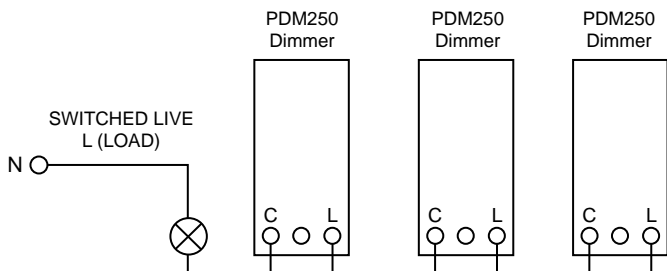


## WIRING EXAMPLES

### WIRING DIAGRAM - SINGLE PDM250 DIMMER SWITCH



### WIRING DIAGRAM - MULTIPLE PDM250 DIMMER SWITCHES



## OPERATING INSTRUCTIONS

### MULTI-WAY DIMMING - FUNCTIONALITY

Multiple PDM250 dimmers in a connected set (connected in parallel), will all share the same settings and dimming position, including high and low settings. Because of this, it is important to only use the same luminaire type, per set of dimmers to avoid any mismatch between high and low settings.

It is only necessary to perform any hi/low or reset button sequences on one of the PDM250 dimmers connected in a set, this must be performed only after all dimmers on the circuit have been connected together.

**IMPORTANT NOTE:** The PDM250 only works with other PDM250s and does not work in conjunction with any other type of dimmer switch.

A reset sequence must be performed if dimmers are added or subtracted from the circuit, or luminaire type is changed, and then hi/low setup repeated.

### ON OFF & DIMMING FUNCTION

Dimmer switch is activated by pressing the dimmer shaft only, dimming function by rotating the dimmer shaft only.

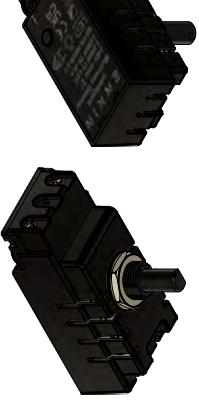
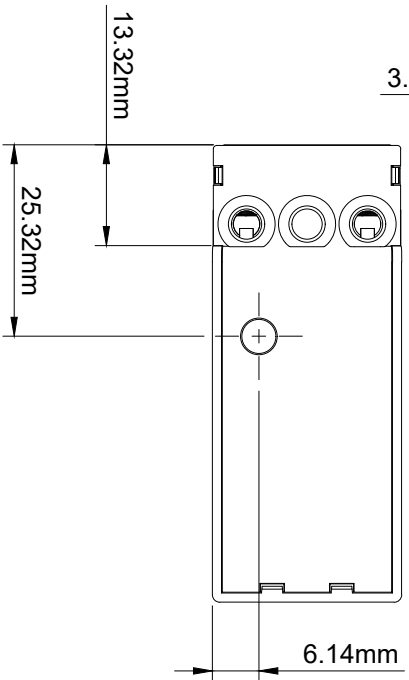
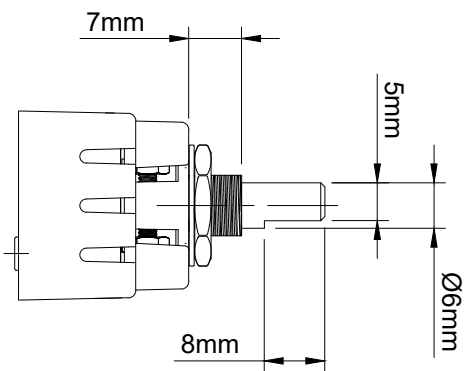
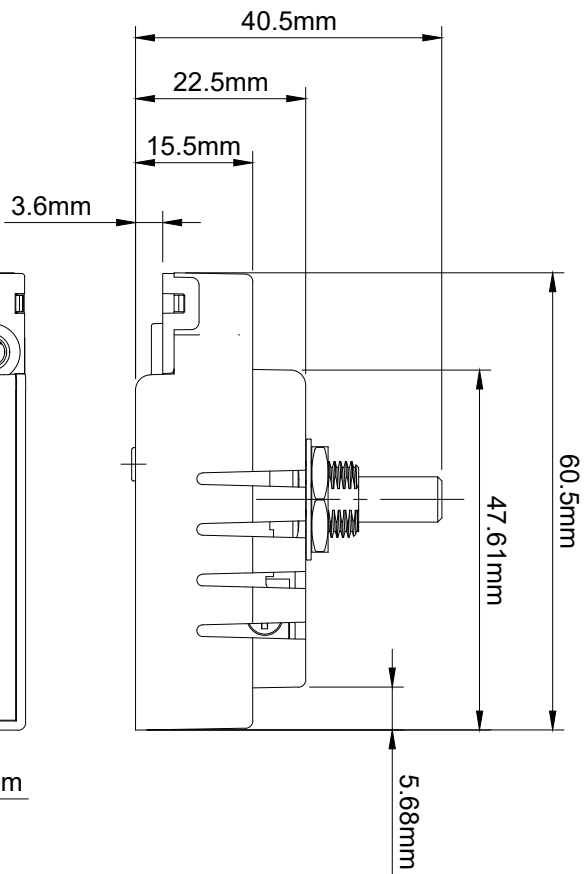
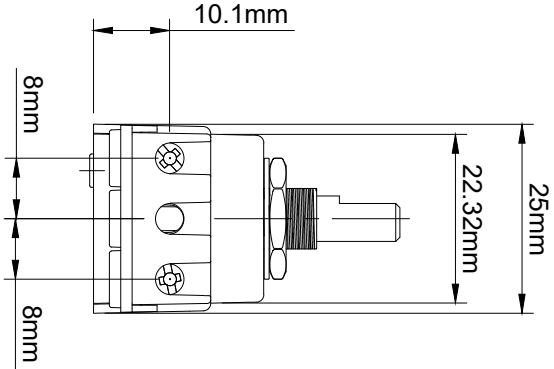
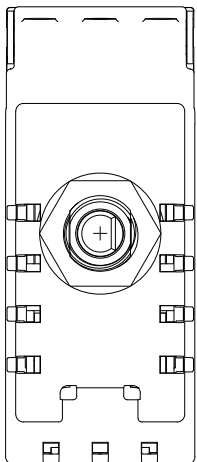
### REAR PANEL PRESS BUTTON - DIMMER SETUP SEQUENCES

#### Setting the Minimum Level (Anywhere below 50% of range)

1. Whilst on, slowly adjust dimmer to your desired minimum brightness.
2. Push the rear setup button 3 times within 2 seconds.
3. The LEDs will step up and down in brightness once to confirm the setting has been saved.

#### Setting the Maximum Level (Anywhere above 50% of range)

1. Whilst on, slowly adjust dimmer to your desired maximum brightness.
2. Push the rear setup button 5 times within 3 seconds.
3. The LEDs will step up and down in brightness once to confirm the setting has been saved.



PDM250 - Intelligent Multi-way Dimmer

