

**Markings & Standard(s)** CE, UKCA, BS EN 60669-2-1

**Operating Voltage** 220-240V AC

**Main Frequency** 50Hz

**Minimum Load** 2W LED (2W Incandescent/Halogen)

**Maximum Load** 150W LED (300W Incandescent/Halogen)

**Switch Type** Two way

**Dimming Protocol** Trailing edge & leading edge phase control

**Mounting Box Depth (Min)** 25mm

**Terminal Capacity** 1 x 4mm<sup>2</sup> / 1 x 2.5mm<sup>2</sup> / 3 x 1.5mm<sup>2</sup> / 4 x 1mm<sup>2</sup>

**Terminal Markings** C (Live), L1 (Switched Live), L2 (2-way)

**Neutral Required** No

**Short Circuit Protection** Yes

**Overload/Overcurrent Protection** Yes

**Thermal Protection** Yes - Thermal resettable fuse

**Soft Start** Yes

**Power Failure** Previous state recall

**Memory** Non volatile

**Min/Max Level Setting** Yes - Following a defined procedure

**Driving Mode** Yes - TE & LE mode change following a defined procedure

**Product Dimensions** 60.5mm x 41mm x 25mm

**Climate Range** 0°C to 40°C, Humidity 0% to 95% non-condensing

**Recommended Location** Indoor use only

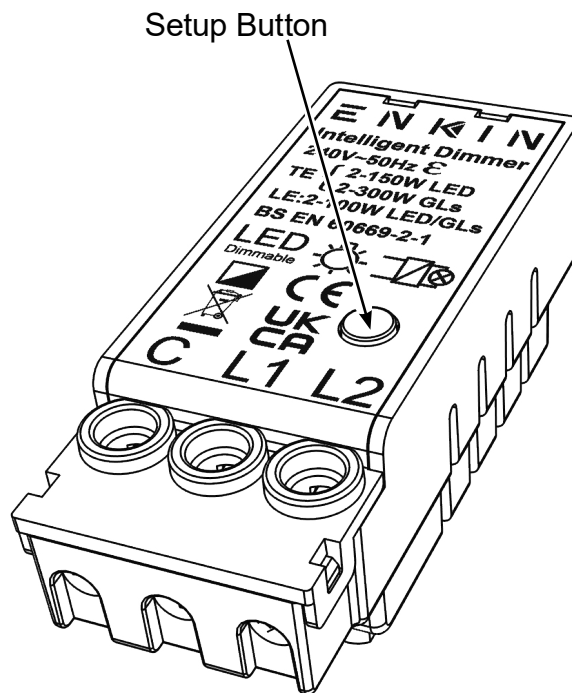
**Maximum Installation Altitude** 2000m

**IP Rating** IP2XD

<b>Operating Voltage</b>	240V ac
<b>Nominal Operating Frequency</b>	50 Hz
<b>Dimming Technique</b>	Trailing & Leading edge phase control
<b>Compliance</b>	BS EN 60669-2-1

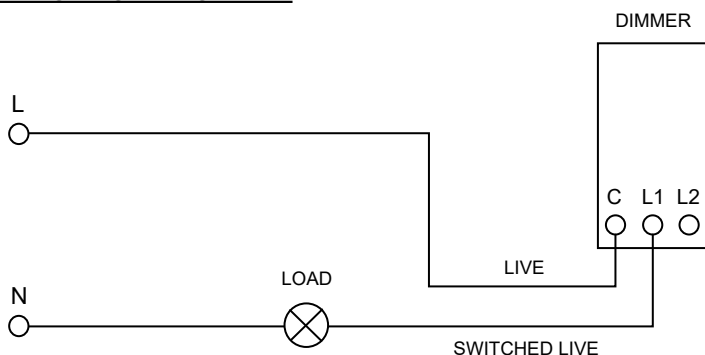
Load Symbol	Compatible Loads	Max Load	Min Load
	Dimmable LED lighting	150W TE 100W LE	2W
	240V Incandescent & Halogen lamps	300W TE 100W LE	2W
	Low voltage lighting with electronic transformers	300W TE 100W LE	2W

Multi-Gang Switch De-Rating Chart				
1 Gang	2 Gang	3 Gang	4 Gang	5 Gang
150W	127W	105W	82W	60W

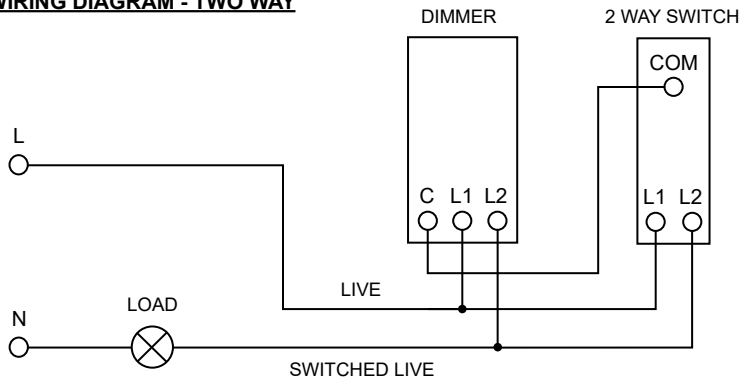


## WIRING EXAMPLES

### WIRING DIAGRAM - ONE WAY



### WIRING DIAGRAM - TWO WAY



## OPERATING INSTRUCTIONS

### ON OFF & DIMMING FUNCTION

Dimmer switch is activated by pressing the dimmer shaft only, dimming function by rotating the dimmer shaft only.

### REAR PANEL PRESS BUTTON - DIMMER SETUP SEQUENCES

**NOTE:** This product is supplied with a minimum level already set, if this does not work well with your situation, please perform a Factory Reset before setting a minimum level to suit your setup.

#### Setting the Minimum Level

1. Whilst on, slowly adjust dimmer to your desired minimum brightness.
2. Push the rear setup button 3 times within 2 seconds.
3. The LEDs will step up and down in brightness once to confirm the setting has been saved.

#### Setting the Maximum Level

1. Whilst on, slowly adjust dimmer to your desired maximum brightness.
2. Push the rear setup button 5 times within 3 seconds.
3. The LEDs will step up and down in brightness once to confirm the setting has been saved.

#### Factory reset for Min/Max brightness

Please note this factory reset will reset all the min and max brightness settings.

1. Whilst on, push the rear setup button 7 times within 5 seconds.
2. The LEDs will step up and down in brightness three times to confirm that the min/max setting has been cleared.

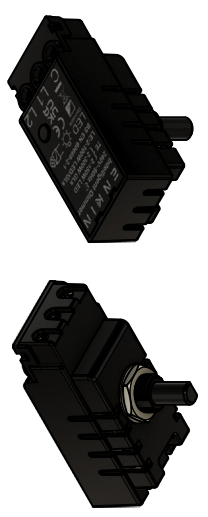
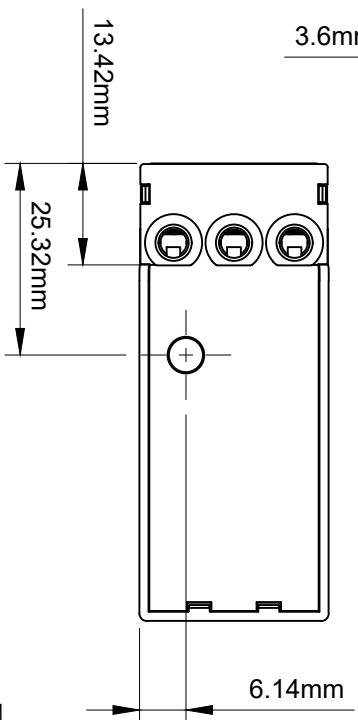
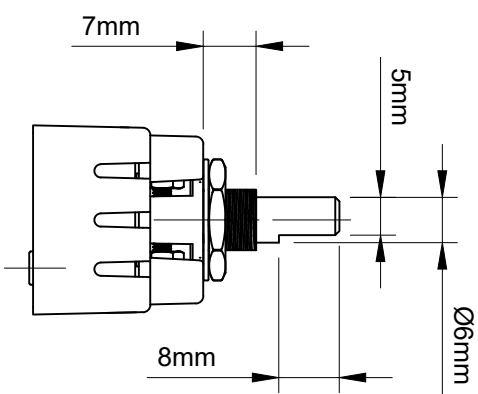
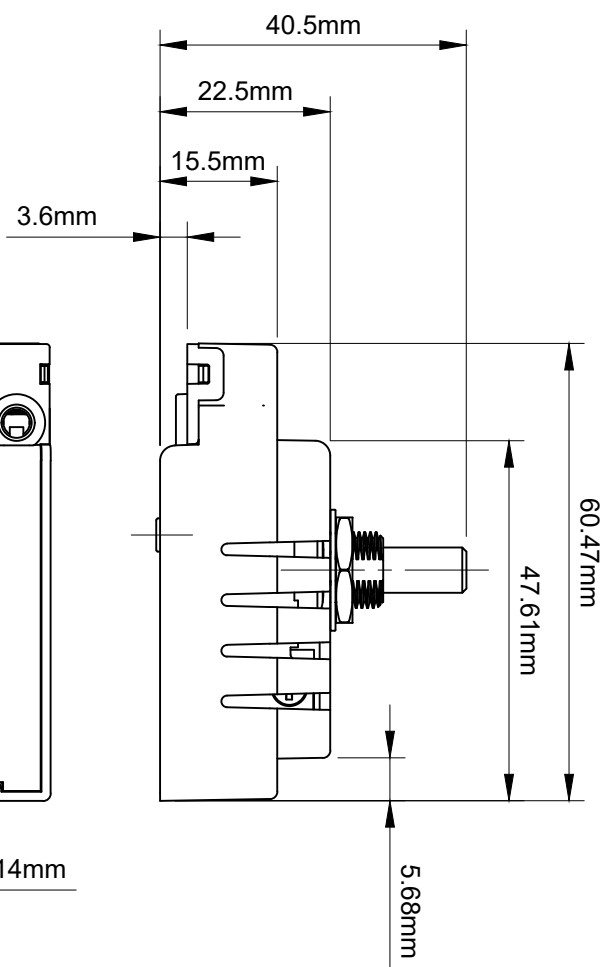
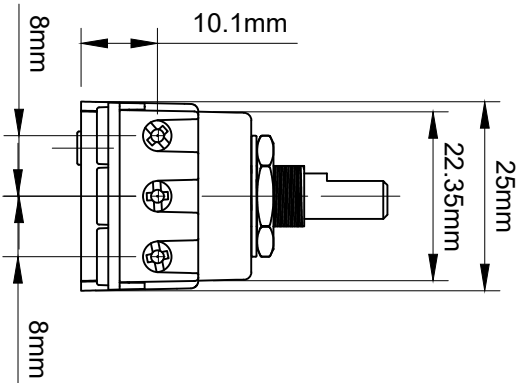
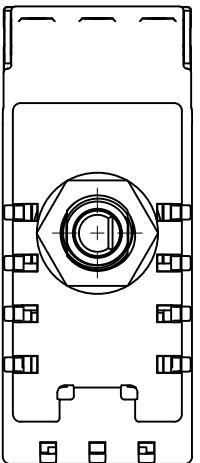
#### Changing the Dimming Mode

The default mode of the dimmer is Trailing Edge, but it can be put into Leading Edge if required. Please ensure that you know the correct mode for your lamp.

1. Whilst on, push the rear setup button 9 times within 5 seconds.
2. The LEDs will step up and down in brightness twice to confirm the setting has been changed to Leading Edge mode.

#### NOTE:

To switch back to Trailing Edge mode, just repeat the process again, the LEDs will step up and down once to show the dimmer is back in Trailing Edge mode.



PDM150 - 150W LED Intelligent Dimmer

