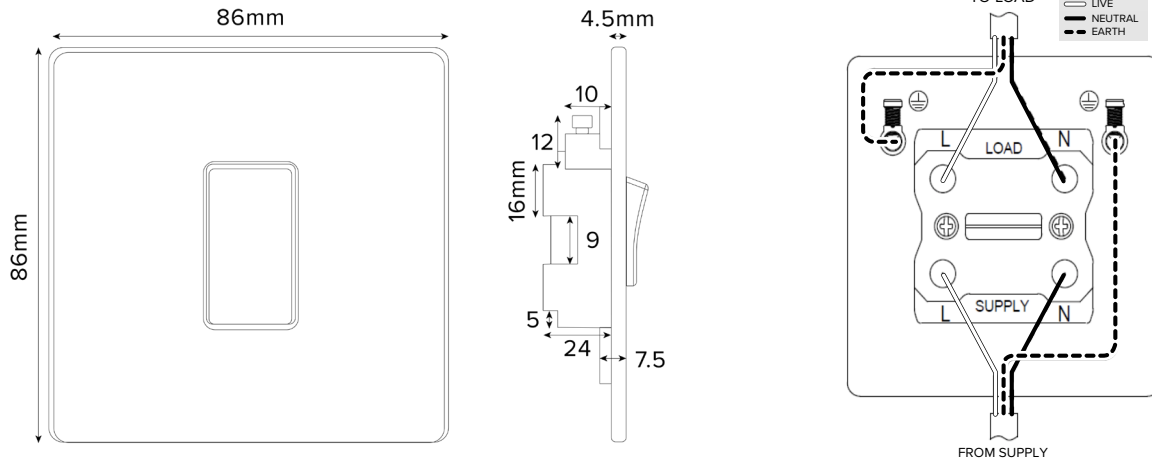


# 45A 1 Gang DP Switch - Traditional Plate



## TECHNICAL SPECIFICATION

Standard(s)	BS EN 60669-1
Voltage Rating	45 Amp, 250V $\sim$
Contact Gap	Normal Gap
Mounting Box Depth (Min)	35mm
Terminal Capacity	4 x 4.0mm <sup>2</sup> , 3 x 6.0mm <sup>2</sup> , 1 x 16.0mm <sup>2</sup> (L&N)
Earth Terminal Capacity	3 x 2.5mm <sup>2</sup> , 2 x 4.0mm <sup>2</sup> , 1 x 6.0mm <sup>2</sup> (Earth)
Fixing Centres	60.3mm
Size	86mm x 86mm x 4.5mm (Plate thickness)
Product Class 1	Face plate must be earthed
Ambient Operating Temperature	-5° to +40°C
Recommended Location	Internal Use Only
Maximum Installation Altitude	2000m
IP Rating	IP2XD
Switched Poles	Double
Mains Frequency	50hz - 60hz
Contact Gap Minimum	3mm